

Pinnacle Sliding Door Lock Aria Furniture

ASSA ABLOY

The global leader in door opening solutions

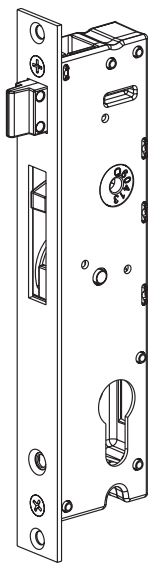
Installation Instructions

Application: Provides single point locking with secure deadlocking for aluminium sliding doors.

Tools Required:

- Drill
- 3.2mm Drill Bit
- 4mm Hex Key
- Square Screwdriver #1
- 13mm Drill Bit
- 2mm Hex Key

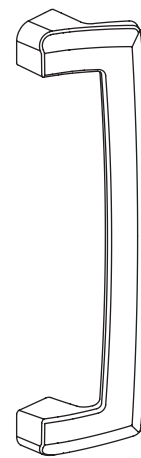
Pack Contents:



Pinnacle Sliding Door Lock

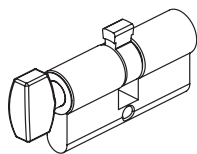


Exterior



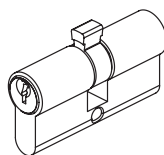
Interior

Aria D-Handles

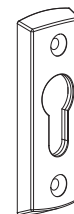


Cylinder Key & Turn Knob
(or half turn version)

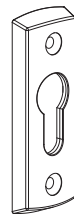
or



Cylinder Double Key
(or half cylinder version)



Internal Cylinder
Escutcheon



External Cylinder
Escutcheon

2x
M5 x 12
Grub



2x
8g x 7.5
CSK

Handle Fixing Screws

1x
M5 x 43
CSK



2x Collar



2x
8g x 5/8

Screw Pack



2x
M5 x 80 Hex
Snap-off

or



2x
M5 x 52
Hex

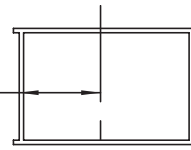
Screw Selection:

Screw	Stile Width
M5 x 60mm Hex	25 - 41mm
M5 x 25mm Hex (Snap off)	Half Sets
M5 x 68mm Hex (Snap off)	38 - 56mm
M5 x 82mm Hex	52 - 70mm

1. Door Preparation

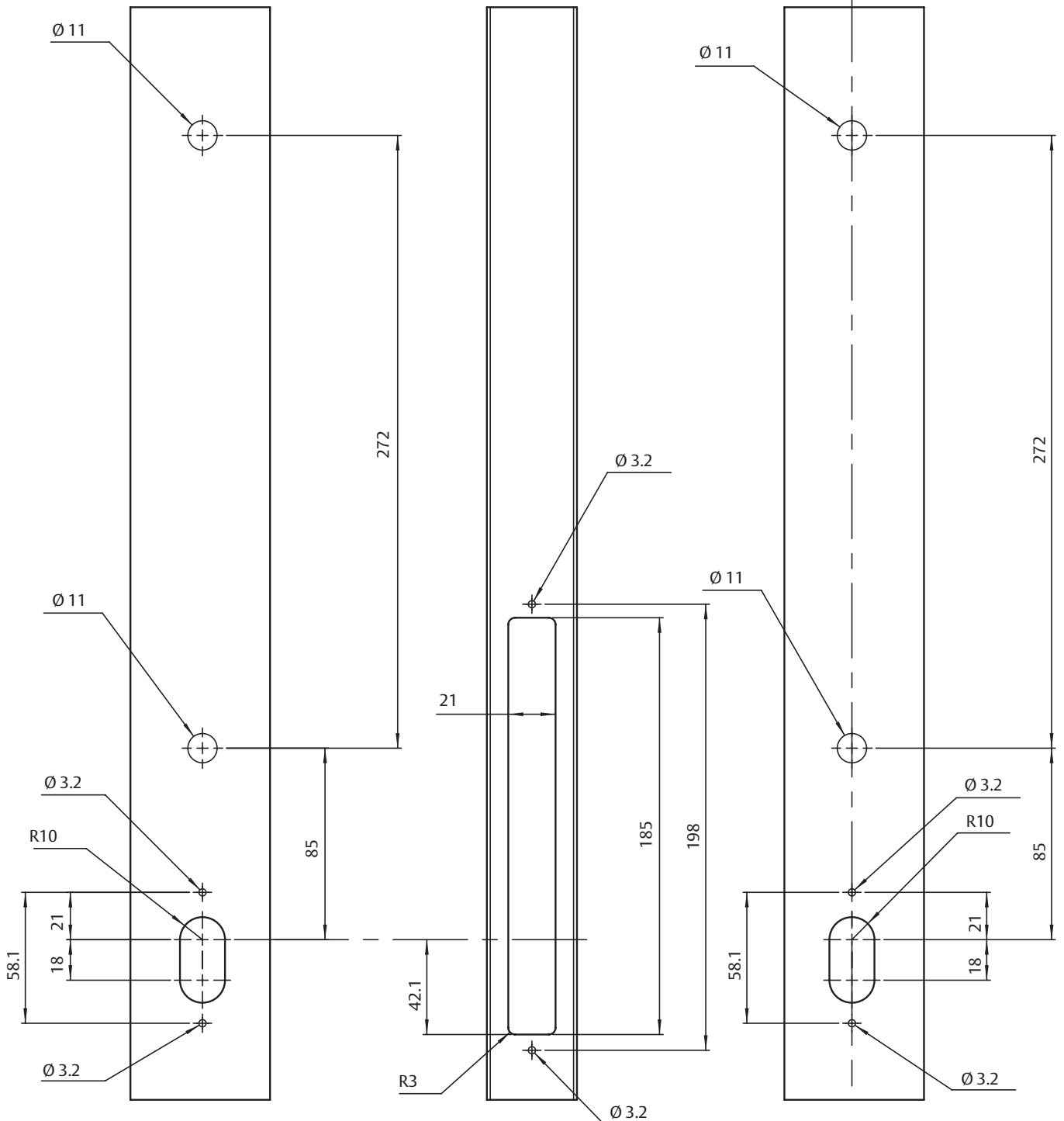
Route the door as shown in the routing diagram.

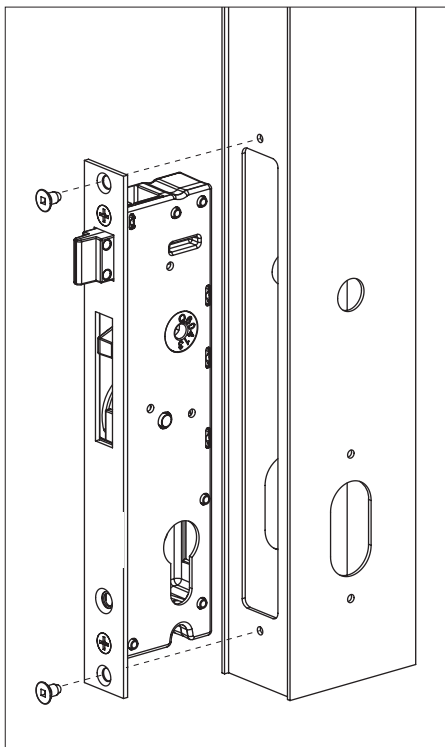
30mm Backset Routing is 28mm from this face
35mm Backset Routing is 33mm from this face
40mm Backset Routing is 38mm from this face



EXTERIOR

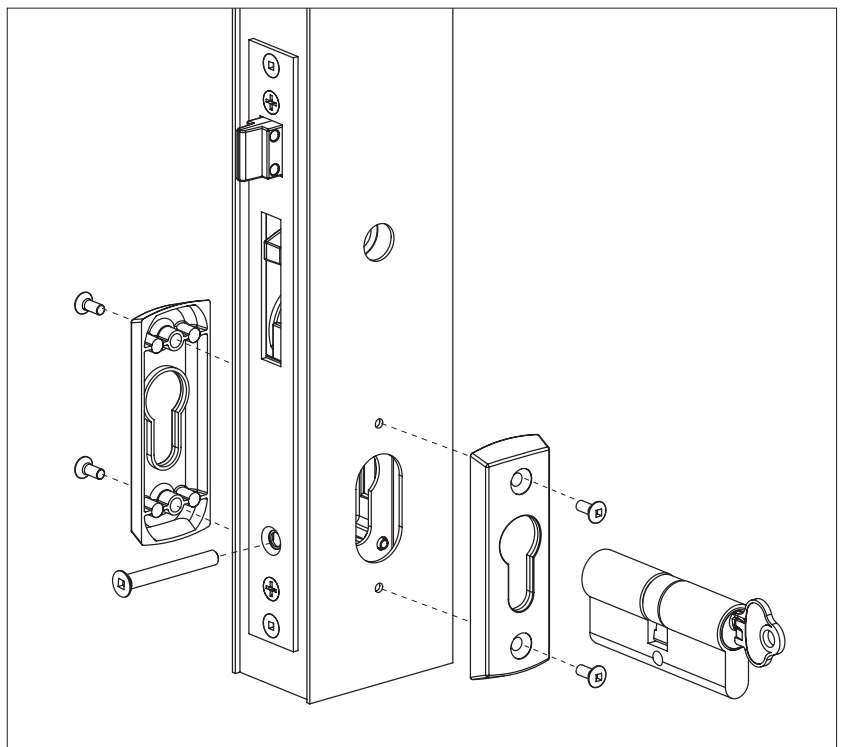
INTERIOR





2. Fixing Lock

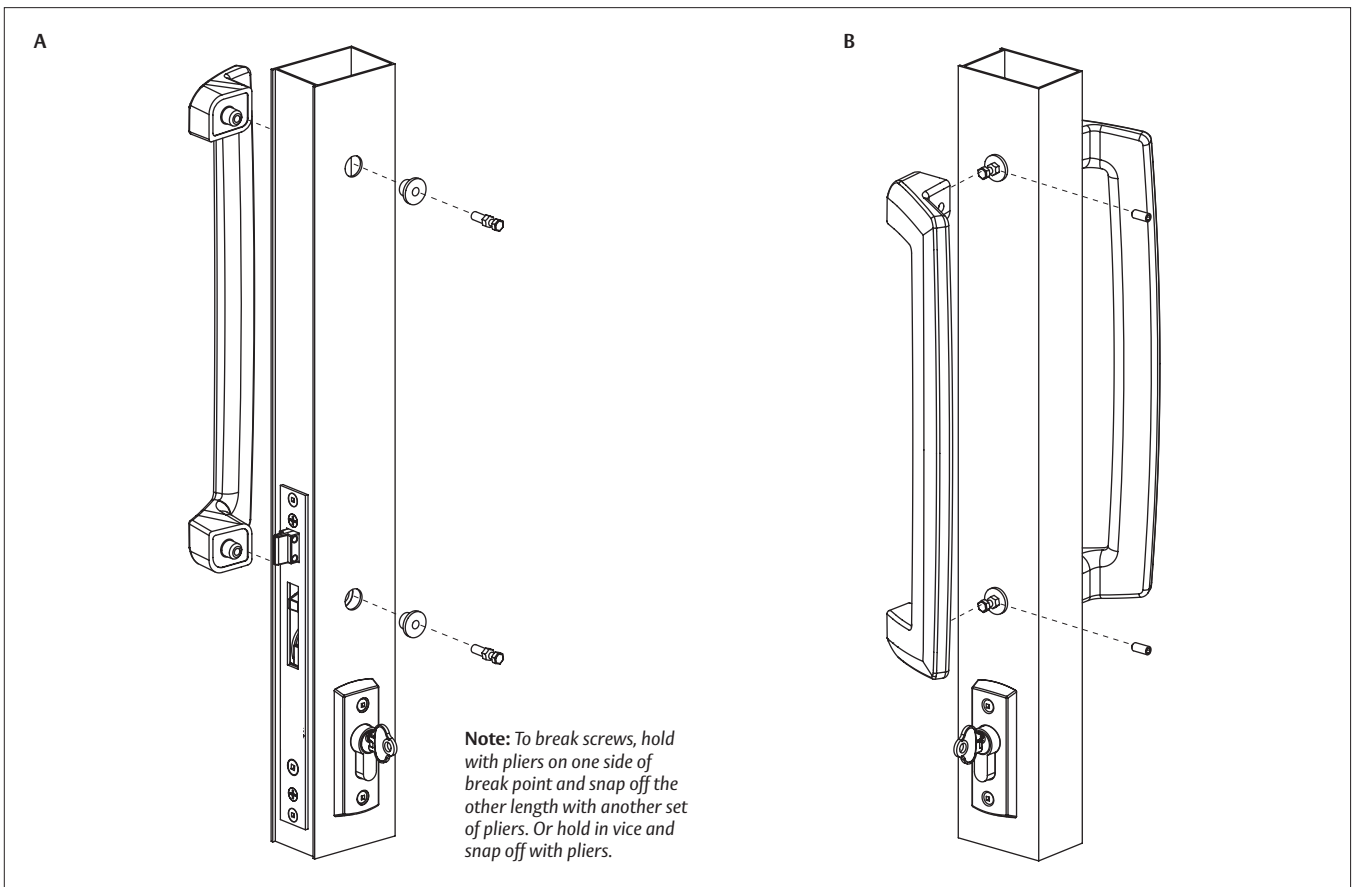
- Place the lock assembly into the stile
- Fix the lock onto the stile using the two 8g x 7.5mm screws



3. Fixing Furniture and Cylinder

- Insert cylinder into lockbody and fix with screw M5 x 43mm
- Fix internal escutcheon to stile using screws
- Fit external escutcheon to exterior of stile and fix using screws

4. Fixing Handle

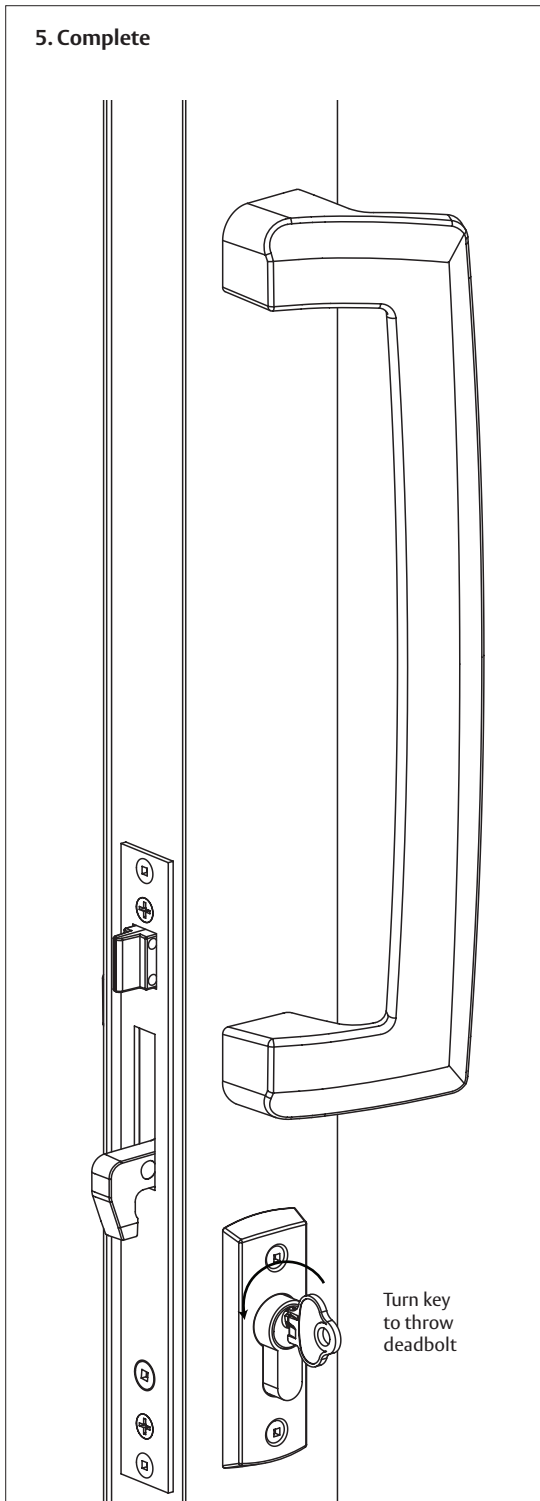


- Attach exterior handle (not cross drilled) first using 2 x M5 handle screws and 2 x handle collars as shown in image A. Determine screw length by using screw selection chart.

- Attach interior handle (cross drilled) over screw heads and fix using 2 x grub screws as shown in image B.

CAUTION Do not overtighten and distort section

5. Complete



WARRANTY

ASSA ABLOY New Zealand Ltd ("ASSA ABLOY") guarantees its products against defects in workmanship and materials.

If within 10 years of purchase a product is found to be defective, ASSA ABLOY will supply the same or equivalent product free of charge.

All electrical and electronic components used in ASSA ABLOY's range of products excluding batteries are guaranteed for a period of 12 months from the date of proof of purchase, unless stated otherwise.

ASSA ABLOY assumes no liability under the guarantee for the following:

1. Improper installation or failure to follow fitting instructions.
2. Failure due to improper maintenance.
3. Fair wear and tear.
4. Indirect or consequential loss or damage.
5. Cost of removal and/or replacement.
6. Cost of freight and/or travelling time.
7. Damage to or deterioration of plated finishes (soft finishes). As deterioration is possible under some environmental conditions, these finishes are excluded from this guarantee.
8. Any modification or repairs to a product, as supplied, unless authorised by ASSA ABLOY.
9. Use of replacement parts other than authorised parts.
10. Malfunction or failure of the product due to the use of non-genuine ASSA ABLOY parts.

Nothing in the ASSA ABLOY New Zealand Limited Warranty excludes, restricts or modifies any condition, warranty, right or liability implied or protected by law where to do so would render the Warranty, or any part of it, void.

10
YEAR
WARRANTY

ASSA ABLOY New Zealand Limited
6 Armstrong Road, Albany, Auckland 0632
www.assaabloy.co.nz
For customer feedback: info.nz@assaabloy.com



Q50127_0816

Patent: N.Z. Pat. Appln. No. 613385